

# Dental Stools



ADS Dental System Inc.

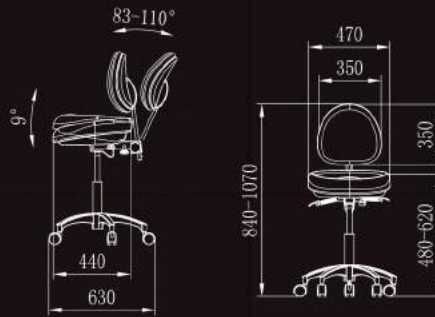
# Orthodontic Packages



## D3 Doctor stool

Part number: A080103

Chrome plated pneumatic cylinder  
 Height adjustment,  
 Backrest forward backward adjustment,  
 Seat surface adjustment,  
 Contoured seat & back,  
 Fiber leather upholstery  
 Cast aluminum star,  
 Quiet twin wheel casters,  
 1 year warranty



### Color sample

Ultra fiber leather

U1 Brown	U2 Champagne	U3 Blue	U4 Green	U5 Grey	U6 Cobalt Blue	U7 Misty Grey
U8 Orange	U9 Red	U10 Wine Red	U11 Grass Green	U12 Lemon Yellow	U13 Pink	U14 Black



ADS Dental System Inc.

Technical support: 800 488 9708 Tel: (626) 620 0456

Add: 13900 Sycamore Way, Chino, CA 91710 [www.adsequip.com](http://www.adsequip.com) [sales@adsequip.com](mailto:sales@adsequip.com)

2018 / 2019 EDITION



# AJ12 Orthodontic Package

Part number: A9120011

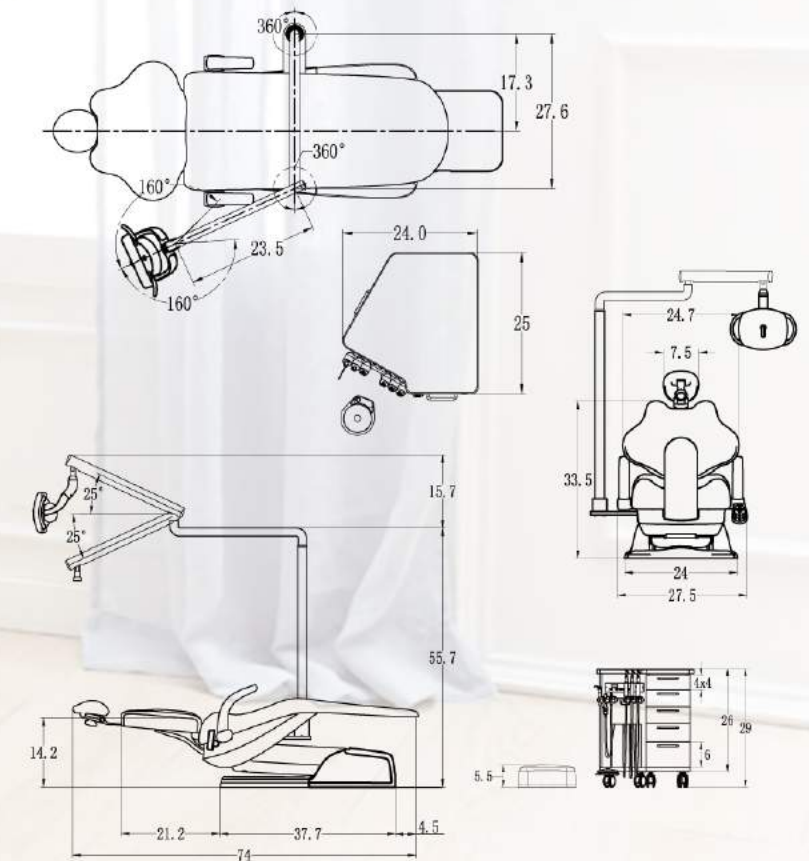
## Standard Features

- AJ12 Electromechanical chair with 3 programmable positions,
- Articulating headrest, Swing out armrest,
- Steel backrest stan, Steel base plate,
- Chair safety switch, Wide backrest, Upgraded fiber leather,
- One touchpad attached on armrest, Foot control
- Post mount LED light with sensor control,
- 3 level intensity adjustment
- Orthodontic mobile cabinet with 3 auto H.P. control,
- Master on/off switch,
- 1 syringe, 1HVE, 1SE, Self contained water bottle system,
- Wet/Dry foot control, 5 drawers,
- Solid surface table,
- Junction box and valves, 5' umbilical



## Dimensions

Unit: inch



# AJ15 Orthodontic Package

Part number: A9150012

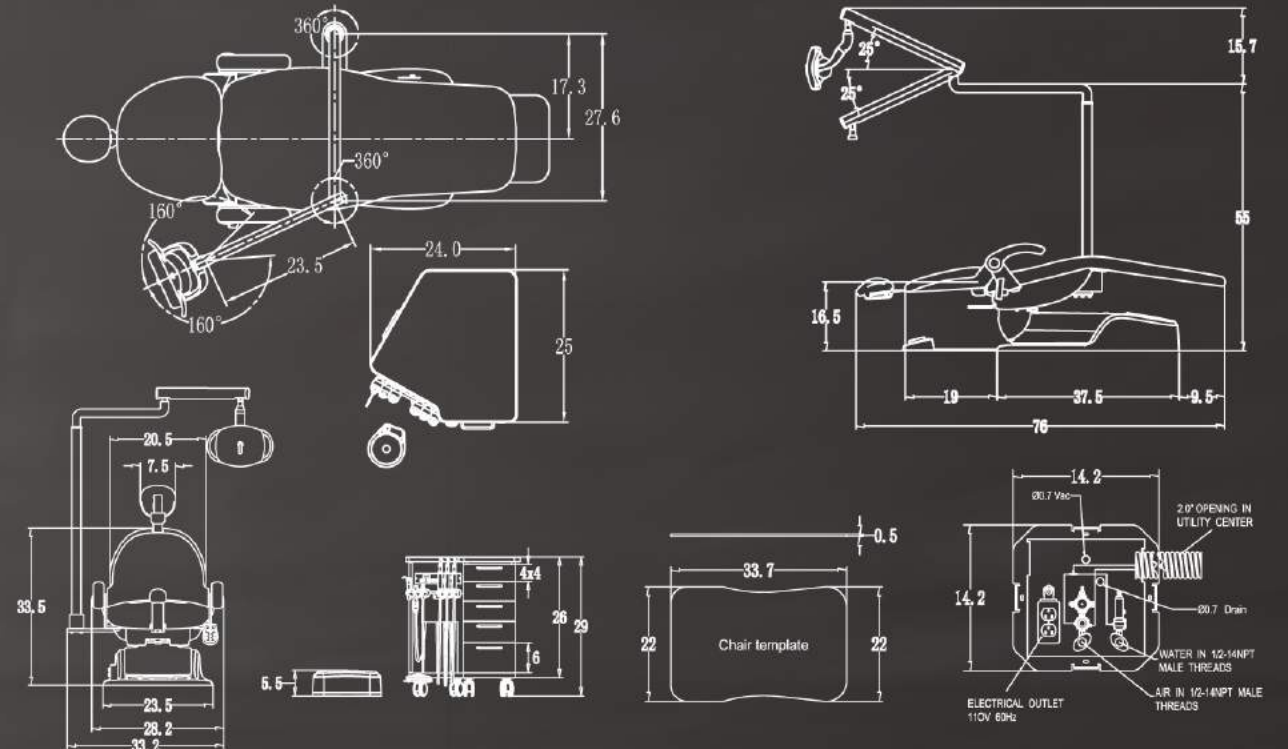
## Standard Features

- AJ15 hydraulic chair with 3 programmable positions,
  - Articulating headrest,
  - Swing up/down aluminium armrest,
  - Narrow backrest, upgraded fiber leather,
  - Cast iron chair frame,
  - Steel backrest stan, Steel base plate,
  - 60 degrees seat rotation, chair safety switch,
  - One touchpad attached on armrest, Foot control
- 
- Post mount LED light with sensor control,
  - 3 level intensity adjustment
- 
- Orthodontic mobile cabinet with 3 auto H.P. control,
  - Master on/off switch,
  - 1 syringe, 1HVE, 1SE, Self contained water bottle system,
  - Wet/Dry foot control, 5 drawers,
  - Solid surface table,
  - Junction box and valves, 5' umbilical



## Dimensions

Unit: inch



# AJ16 Orthodontic Package

Part number: A9160012

## Standard Features

- AJ16 Luxury hydraulic chair, with 3 programmable positions,
  - Articulating headrest,
  - Swing up/down aluminium armrest,
  - Wide backrest, upgraded fiber leather,
  - Cast iron chair frame,
  - Cast aluminium backrest stan,
  - Cast aluminium base,
  - 60 degrees seat rotation, chair safety switch,
  - One touchpad attached on armrest, Foot control
- 
- Post mount LED light with sensor control,
  - 3 level intensity adjustment
- 
- Orthodontic mobile cabinet with 3 auto H.P. control,
  - Master on/off switch,
  - 1 syringe, 1HVE, 1SE, Self contained water bottle system,
  - Wet/Dry foot control, 5 drawers,
  - Solid surface table,
  - Junction box and valves, 5' umbilical



## Dimensions

Unit: inch

